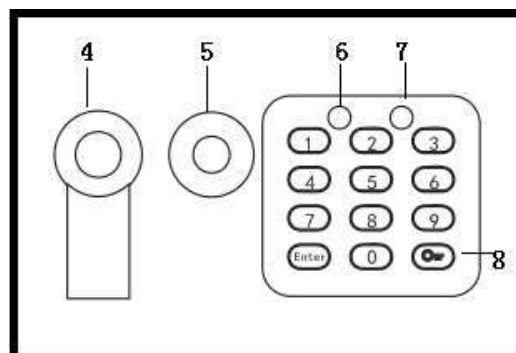
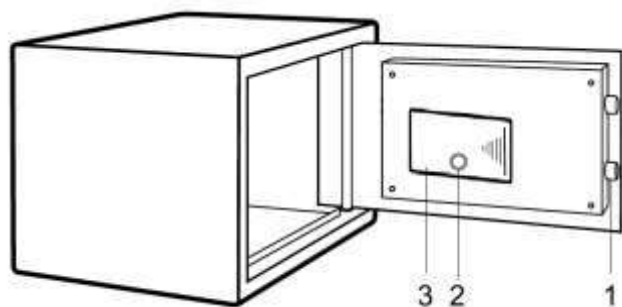


E-DK Series Instruction Manual



1. Bolts
2. Reset Button
3. Battery Compartment
4. Knob (Master Key)

5. Emergency Lock Cover
6. Red Light
7. Yellow Light
8. Confirming button

➤ Dear valued customer:

Thank you for choosing our products! You have taken an important step in organizing and protecting your most valued possessions. Every series of our safes is professionally made and designed to provide safety. Please take time to read and familiarize yourself with the proper operating procedures of your new safe presented on the following pages.

➤ Initial Use

- ① Find the emergency keys in the accessories' bag;
- ② Remove the emergency lock cover;

③ Insert the emergency key, press gently and turn it anticlockwise, anticlockwise turn the master key at the same time to open the door;

CAUTION: Finish operation, pull out the emergency key and keep it in a safe place.

➤ Insert the batteries

- ① With the door open;
- ② Insert 4×1.5V batteries into the battery box;

CAUTION: Replace 4 fresh batteries by lining them up in a manner as indicated by the “+” and “-” signs. When outage for longer than thirty minutes, you should reset the user code.

➤ Open the door

- ① Input your user’s code(3 to 8 digits) , each pressing results one buzzer beep and yellow light flashes;
- ② Press “confirming button” , the yellow light will be on;
- ③ Rotate the knob (master key) clockwise and pull outwards within 5 seconds, the door will be open;

CAUTION: The preset user code “0000”. Please input the user code again if the yellow light flashes with three buzzer beeps.

➤ Close the door

Turn the knob(master key) clockwise to close the door.

➤ Automatically locked

- ① Three continuously wrong entries will make the keypad disabled for 20 seconds;
- ② Another three continuously wrong entries will make the keypad disabled for 3 minutes.

CAUTION: You can only open the safe with emergency key.

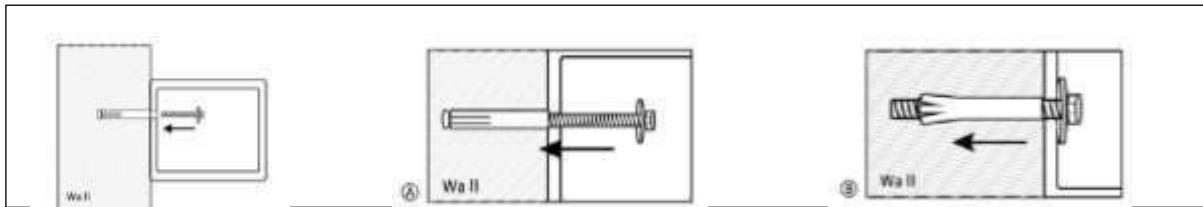
➤ Set the user code

- ① With the door unlocked, press the reset button, start setting code when the yellow light goes on;

② Input the new user code(3 to 8 digits), and press the “enter” to confirm, it will be confirmed by 2 buzzer beeps and the yellow light flashes twice;

③ If the yellow light flashes with 3 buzzer beeps, which means the code changing is not effective, and you need to try again.

➤ Mounting



- ① Drill holes for expansion bolts(or clamping screws) in the right place;
- ② Turn the expansion bolts anticlockwise to separate;
- ③ Use the expansion bolts(or clamping screws) to secure the case to the wall;
- ④ Make sure the case is mounted in place as required and then tighten all screws.

CAUTION: Use the expansion bolt when there is a concrete wall surface.

Use the clamping screw when there is a wooden wall surface.